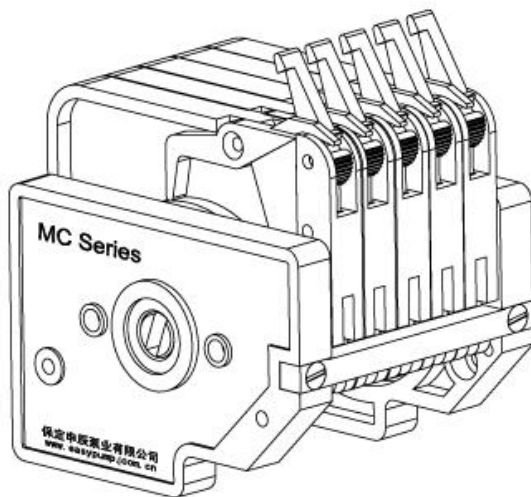


Shenchen MC Series Pump Head

Operating Instruction



Baoding Shenchen Precision Pump Co.,Ltd.



Important information:

- Please read the instructions carefully before use.



Warning:

- Tubing may have crack due to wear. It results in the overflow of fluid from tubing. In that time human body and instruments may be damaged. So user must check usually and change tubing in time.
- If the pump head inadvertently enters the water, use a soft cloth such as soft cotton cloth to wipe dry to prevent the pump head from being damaged.
- Every time you start the peristaltic pump , please be carefully checked whether the hose is damaged.
- Hose used for a period of time, the hose can be rotated 90 ° , to extend the service life of the hose
- Long-term non-use, the hose should be released

Catalogue

1、 Product Introduction	1
2、 MC Series Pump head instructions.....	2
3、 Installation dimensions.....	5
4、 Multi-head installation instructions	6
5、 Flow reference table	7
6、 Product Maintenance	8
7、 Warranty	8

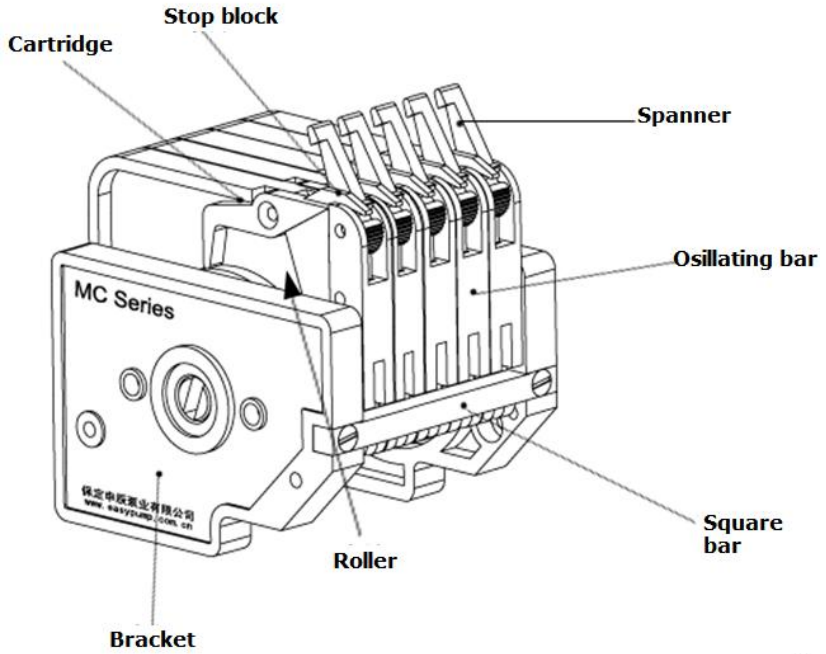
1.Product Introduction:

MC series multi channel pump head, include 10 rollers and 6 rollers, can install Tygon series imported tubing, usually used for multi channel high precision transfer fluid. Specific multifunctional cam structure, can used for adjusting the tubing interval to micro adjust the flow rate, or make the flow rate different between channels. Also for opening the cartridge from the top, much easier than traditional design. MC series pump head with its special advantage, is widely used in supporting analytical instruments.

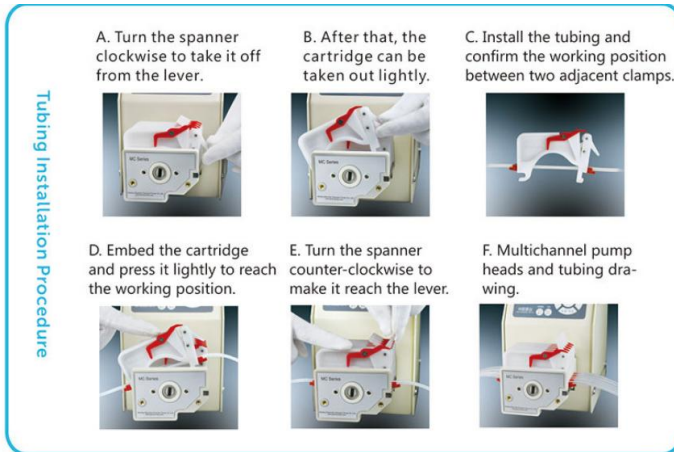
Multi-channel pump head performance in the table below:

Pump head	MC1	MC2	MC3	MC4	MC5	MC6	MC8	MC10	MC12	
Channel number	1	2	3	4	5	6	8	10	12	
Tubing	1 x 1		2 x 1		2.4 x 0.8		2.79 x 0.9		3 x 1	
ID (mm)	1		2		2.4		2.79		3	
Wall thickness(mm)	1		1		0.8		0.9		1	
Rollers number	10 rollers									
Flow rates of pump head with 10 rollers (ml/min)	0-50rpm	0-2.27		0-7.64		0-10.50		0-12.33		0-16.22
	50-100 rpm	2.27- 4.69		7.64- 16.11		10.50- 21.65		12.33- 22.60		16.22- 32.00
	100-150 rpm	4.69- 7.03		16.11- 23.07		21.65- 31.26		22.60- 36.62		32.00- 49.07
Rollers number	6 rollers									
Flow rates (ml/min) of pump head with 6 rollers	0-50rpm	0-2.60		0-10.07		0-12.72		0-18.50		0-22.21
	50-100 rpm	2.60- 5.25		10.07- 20.41		12.72- 26.97		18.50- 37.00		22.21- 42.17
	100-150 rpm	5.25- 8.13		20.41- 33.08		26.97- 44.62		37.00- 55.50		42.17- 65.00
Tubing Maximum pressure (Mpa)	Continuous		0.1							
	Intermittent		0.1							

2.MC Series Pump Head Instruction:

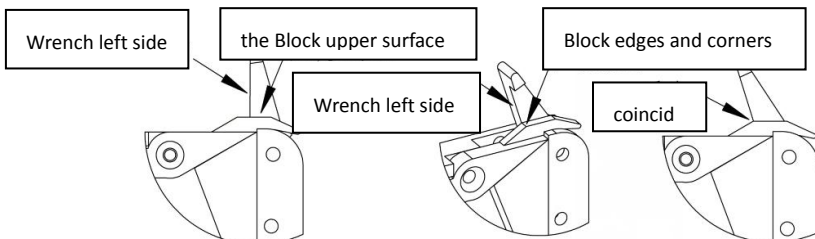


2.1 Tubing Installation:



2.2 Spanner working position

1. Hose wall thickness 1mm, the left side of the wrench is perpendicular to the upper surface of the pressing block (see Figure 1).
2. Hose wall thickness 0.8 ~ 0.9mm, wrench side and brims overlap (see Figure 2).
3. When the hose is worn, turn the wrench counterclockwise to keep it pressed.



F 1. The wrench left side is perpendicular to the upper surface of the block

F 2. the wrench left side coincides with the upper surface of the block

2.3 Pump Head Installation

Take out the cartridge to install the pump head.

The pump head connect with the drive use two hexagonal screws(M4). Insert the two screws into back installation hole, then make the spindle head into drive coupling groove, meanwhile make the two screws aim at the drive installation hole, fasten the screws with hexagonal spanner.

 **Note**

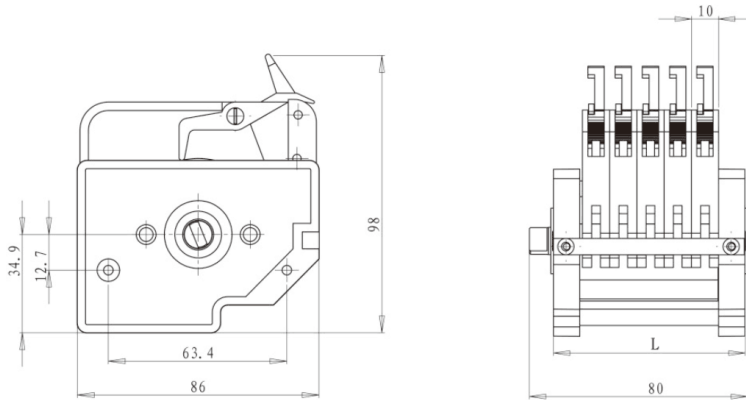
- Usually, the pump head is installed on the drive, no need users to install again, only after cleaning the pump head, need to install according to above steps.
- When fasten the screws, users need try to make the tightness of the two screws the same, and can't be too tight, to avoid working noise because of back deformation.

 **Note**

- The pump head material is not resistance to organic solvents.

3. Installation dimensions

Unit: mm



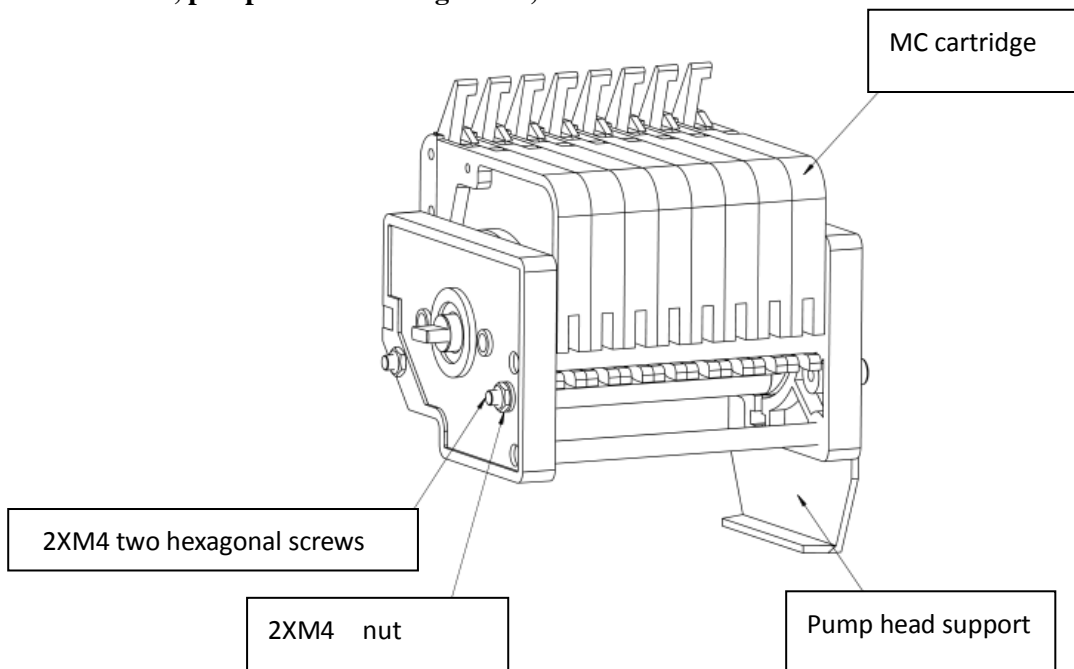
Model type	Length
MC1	31
MC2	41.5
MC3	51.7
MC4	61.9
MC5	72.1
MC6	82.3
MC8	102.7
MC10	123.1
MC12	143.5

Note: The value after MC indicates the number of channels

4. Multi-head installation instructions

Note: This is the case when the pump head is not installed on the drive, taking the 8-channel as an example

4.1, pump head receiving status, as shown below

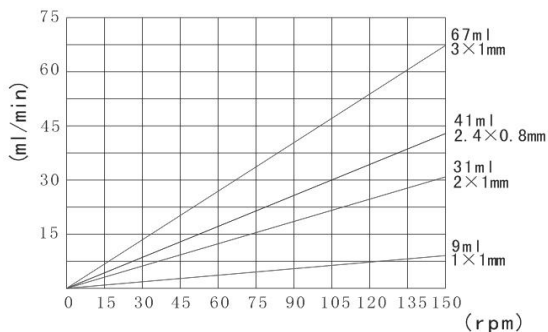


4.2 installation

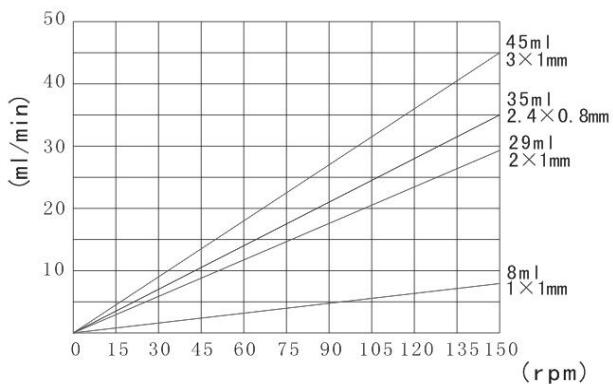
First remove the MC card completely; then release the $2 \times M4$ nut to remove the nut and the socket head cap screw; finally, use the removed $2 \times M4$ hexagon socket head cap screw to install the pump head on the mating drive and tighten the screw.

5、Flow reference table

- MC-1、MC-2、MC-3、MC-4、MC-5、MC-6、MC-8、MC-10、MC-12
(6 rollers)



- MC-1、MC-2、MC-3、MC-4、MC-5、MC-6、MC-8、MC-10、MC-12
(10 rollers)



6.Maintenance

- 1.When pump is not working, please loose the cartridges of pressing the tubing for avoiding changing the shape of tubing because of longtime extrusion.
- 2.Keep the rollers of pump head clean and dry, otherwise it can quicken the tubing wearing, reduce the useful life of tubing and lead the rollers to damage in earlier.
- 3.Pump head can not resist super corrosive liquid. Please pay attention to it when it is using.

7.Warranty and After Service

Products have three years warranty(not including tubing). In the warranty, the products are damaged because of users' wrong operation or other human damages, our company have not responsibility for warranty.

- This manual is prepared according to the products produced at the time of publication. As the products are continuously improved, the products produced after the publication may differ from the contents in the book, and are subject to change without further notice.
- Special Statement: This manual can not be used as the basis for any request to our company.
- The explanation of this manual is in Baoding Shenchen Pump Co., Ltd.
- Although make every effort, but negligence is inevitable, we sincerely welcome the masses of users criticism and correction

MADE IN CHINA

Baoding Shenchen Precision Pump Co., Ltd.

Address: No.103, Building 2, Pivot Industrial Park, FuXing East Road
999, Baoding, China.

Tel: 86- 0312- 6780680 6780681

Fax: 86-312- 6780636

Website: www.good-pump.com

Email: info@good-pump.com