

Laboratory Glassware, Instruments & Accessories





DRIFTON A/S is pleased to introduce the MINI CATALOGUE of lab essentials from GLASSCO.

The catalogue is carefully designed taking into consideration some of the fast moving products that are lab essentials and have a regular demand. You can also download the complete range of GLASSCO products from the new big catalogue that is available on our website.

GLASSCO have introduced a lot of new products in glass with ASTM STANDARDS and is the only company in the world now offering DIN EN ISO and ASTM standard products from one production facility.

GLASSCO is proud to say they are the first company in the world to have put a QR code on the volumetric flasks which helps you in scanning all the information of the product. They are offering QR CODED labelled products from which you can scan and download all the certificates.

Producing high quality lab ware according to international standard and excellent customer service has helped GLASSCO to achieve brand recognition worldwide in more than 80 countries. They are committed in providing high quality lab ware products to their customers through strict quality control and timely deliveries.

Drifton A/S has introduced a wide range of GLASSCO laboratory equipment and glassware on the webshop and most of the products on the webshop are in stock ready to be shipped out.

See the selection on the Drifton webshop here:

www.drifton.dk | www.drifton.eu | www.de.drifton.eu | www.drifton.es

Contact Information:

Drifton A/S
Avedøreholmen 84
DK-2650 Hvidovre
Denmark

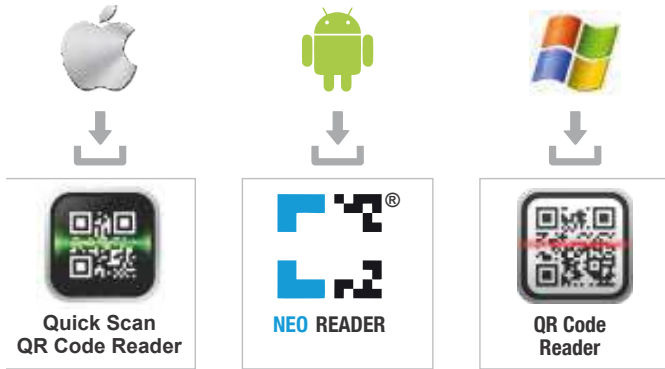
Mail: info@drifton.dk

Tel: +45 3679 0000

Index

QR code	3
Beakers	4
Bottles	5
Burettes	6
Cylinders	7
Filtration	8 - 9
Flasks	10 - 13
Flasks, Volumetric	14 - 15
Funnels	15 - 17
Instruments	17 - 21
Liquid Handling	22 - 23
Pipettes	24 - 25
Tubes	26 - 27

Volumetric Glassware with QR-code



Glassco has recently launched its QR coded volumetric flasks both in ASTM, ISO and ASTM standards. This is available in individual certified volumetric flasks and batch certified volumetric flasks. All the volumetric flasks are made from ASTM E 438 TYPE 1 CLASS A BORO 3.3 GLASS which is chemically inert and thermal shock resistant. All Volumetric wares are calibrated exceeding the demands of applicable standards. As all the manufacturers worldwide normally include the batch / individual certificate in the pack and many a times it is lost while using the glassware, the only option left to you is to either contact the manufacture or to make a grinding effort to go on the manufacturers website locate the applicable link and download the certificate. To make it most convenient for you, now with the GLASSCO QR coded volumetric flasks all you have to do is to scan the QR CODE from your mobiles with QR code scanner (NeoReader) and it will not only give you certificate of calibration (individual /batch) but will also give you information of certificate of compliance and the products user manual.



GET **Scan volumetric flask**
Please download Neo Reader Scanner and scan your Volumetric flask with your smart phone

SET **Select certificate individual/batch Conformity or user manual**
Website will open with choice of batch or individual certificate and please type Serial No. from Flask

GO **Print or save your certificate**
Your certificate is now ready to be saved or printed at the time of your audit, before audit or after audit.

Available at your Fingertips!

Beakers

Manufactured from ASTM E 438 TYPE 1 CLASS A BORO 3.3 GLASS. These beakers comply to ISO 3819, DIN 12331 ASTM E - 960 and USP standards. These beakers come with white graduation and marking area for use with an ordinary pencil. These beakers have a uniform wall thickness which make it ideal for heating applications. These Beakers have excellent thermal performance and are highly resistant to chemical attack.



Beaker, Low form with spout

- Complies with DIN 12331 & ISO 3819
- Large labeling field for easy marking
- Uniform wall thickness & Ideal for heating liquids
- Clear metric Graduation for convenience
- Highly resistant to chemical attack

Item Code	Capacity (ml)	Dia (mm)	Height (mm)	Pack of
229.202.02	10	26	35	10
229.202.03	25	34	51	10
229.202.04	50	42	58	10
229.202.05	100	50	70	10
229.202.06	150	60	88	10
229.202.07	250	70	95	10
229.202.08	400	80	110	10
229.202.09	600	90	125	8
229.202.10	1000	105	157	6
229.202.11	2000	132	185	4
229.202.13	3000	152	210	1
229.202.14	5000	170	270	1
229.202.15	10000	220	350	1

Bottles

Bottles, Reagent Clear Screw Neck

- Complies with DIN/ISO 4796
- Autoclavable PE screw cap and pouring ring
- Printed with retrace code
- Specially designed PE Pouring rings for drip-free operations
- Clear scale Graduation & large marking area
- These complete bottles are autoclavable & can be sterilized
- These bottles are highly mechanically durable and chemical resistant

Item Code	Capacity (ml)	Dia (mm)	Height (mm)	Pack of
274.202.01	100	56	100	10
274.202.02	250	70	138	10
274.202.03	500	86	176	10
274.202.04	1000	101	225	10
274.202.05	2000	136	260	10
274.202.07	5000	181	330	1
274.202.08	10000	227	410	1
274.202.09	20000	288	505	1



Bottles, Reagent Amber Screw Cap

- Complies with DIN/ISO 4796
- Autoclavable PE screw cap and pouring ring
- Printed with a retrace code
- Specially designed PE Pouring rings for drip-free operations
- Clear scale Graduation & large marking area
- These complete bottles are autoclavable & can be sterilized
- These bottles are highly mechanically durable and chemical resistant
- The uniform Amber colour is highly durable and chemical resistant
- These bottles are ideal for long term storage of light sensitive media & substance

Item Code	Capacity (ml)	Dia (mm)	Height (mm)	Pack of
275.202.01	100	56	100	10
275.202.02	250	70	138	10
275.202.03	500	86	176	10
275.202.04	1000	101	225	10
275.202.05	2000	136	260	10



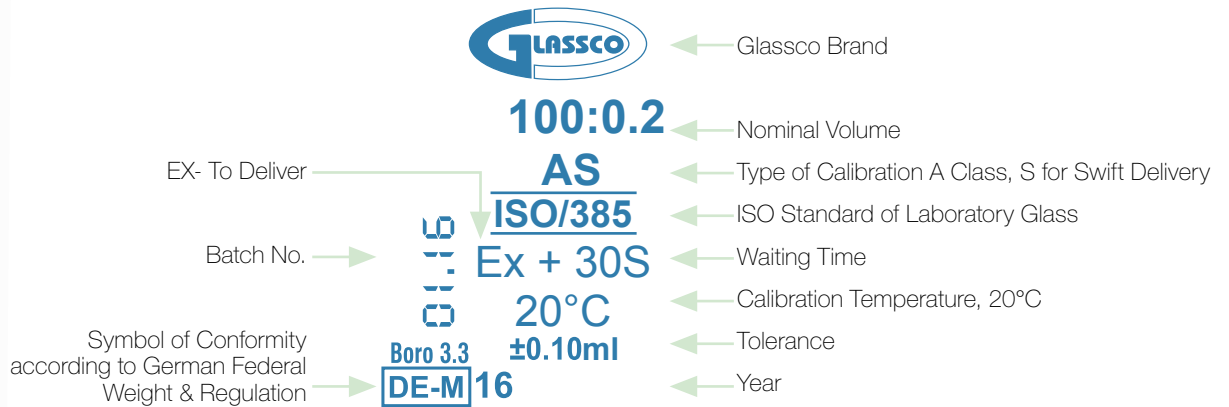
Burettes



Glassco burettes are manufactured from ASTM E-438, Class A, T YPE 1 Boro 3.3 heat resistant glass which meet DIN/ISO 385 and USP standards.

- Calibrated to deliver (TD, EX) 20 °C
- Manufactured from precision bore tubing for accuracy
- With Schell batch tubes for accurate reading of meniscus
- Calibrated on computer controlled machines
- Rechecked on the quality control centre for highest accuracy
- Class AS come with conformity batch certificate and with individual work certificate
- Printed in blue colour, waiting time of 30 seconds

Download your certificate now : www.glasscolabs.com



Burettes with PTFE key stopcock clear glass, Class AS

- With Batch Certificate
- Compliance with DIN ISO 385 and USP standards
- Printed in blue colour

Item Code	Cap. (ml)	Division	Tolerance (±ml)	Pack of
115.202.01	10	0.05	0.03	1
115.202.02	25	0.1	0.05	1
115.202.03	50	0.1	0.05	1

Cylinders

GLASSCO measuring cylinders are made from ASTM E – 438, TYPE-1, CLASS-A BORO 3.3 glass that meet ISO 4788 standard. The calibration is done on automatic computer controlled machines and are calibrated to contain (TC, In) according to the ISO & ASTM tolerance standards. All ISO Cylinders come with DE-M Mark printed on it.

Measuring Cylinder with Hexagonal Base, Class-A

- Certificate as per DIN EN ISO 4788
- With conformity batch certificate 4788

Item Code	Capacity (ml)	Sub division (ml)	Tolerance (\pm ml)	Pack of
139.202.01A	10	0.2	0.10	2
139.202.02A	25	0.5	0.25	2
139.202.03A	50	1.0	0.50	2
139.202.04A	100	1.0	0.50	2
139.202.05A	250	2.0	1.00	2
139.202.06A	500	5.0	2.50	2
139.202.07A	1000	10.0	5.00	1
139.202.08A	2000	20.0	10.00	1



Mixing Cylinder with Hexagonal base, Class-A

- Complies as per DIN EN ISO 4788 standards
- With batch conformity certificate
- With PE stopper

Item Code	Capacity (ml)	N/S	Sub division (ml)	Tolerance (\pm ml)	Pack of
142.202.01A	10	10/19	0.2	0.10	2
142.202.02A	25	14/23	0.5	0.25	2
142.202.03A	50	19/26	1.0	0.50	2
142.202.04A	100	24/29	1.0	0.50	2
142.202.05A	250	29/32	2.0	1.00	2
142.202.06A	500	34/35	5.0	2.50	2
142.202.07A	1000	45/40	10.0	5.00	1
142.202.08A	2000	45/40	20.0	10.00	1



Filtration

Glass Filter Holder For 47 mm Disc Filters

Specifications:

- Materials of Construction : Borosilicate glass funnel and base; anodized aluminum spring clamp; silicone topper
- 260.202.01 : Coarse-frit glass filter support
- Filter Diameter, mm : 47
- Filtration Area, cm² : 9.6
- Funnel Capacity, mL : 300
- Prefilter Diameter, mm : 35 (thick depth prefilter) or 47 (membrane prefilter)
- Outlet Fitting : No. 8 perforated silicone stopper mounts in standard 1 L and 4 L filtering flasks

Dimensions

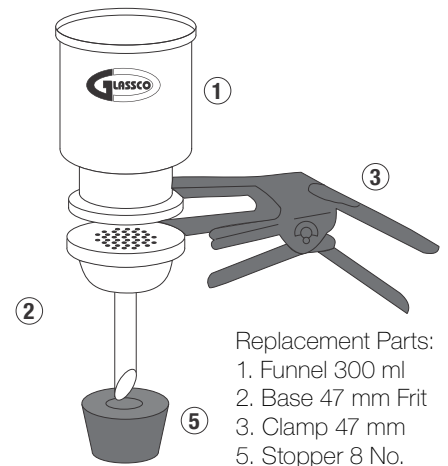
- Height, cm : 22.9
- Diameter, cm : 7.6
- Sterilization Method : 30 UV sterilize or autoclave without filter in-place

Applications:

- Use 260.202.01 for Bacteriological analysis of water (using 47 mm sterile membrane filters)
- Analysis of suspended solids in water (using 47 mm depth filters)

Ordering Information:

Cat No.	Description
260.202.01	Glass filter holder assembly with funnel, fritted base, stopper, clamp, 47 mm
Replacement Parts	
258.245.01	Glass funnel, 300 ml, borosilicate
260.245.02	Base for 47 mm glass/filter holder
258.245.02	Spring clamp, 47 mm, aluminum
260.245.05	No. 8 perforated stopper, silicone



- Replacement Parts:
1. Funnel 300 ml
 2. Base 47 mm Frit
 3. Clamp 47 mm
 5. Stopper 8 No.

Filter holder with glass filter support, 260.202.01

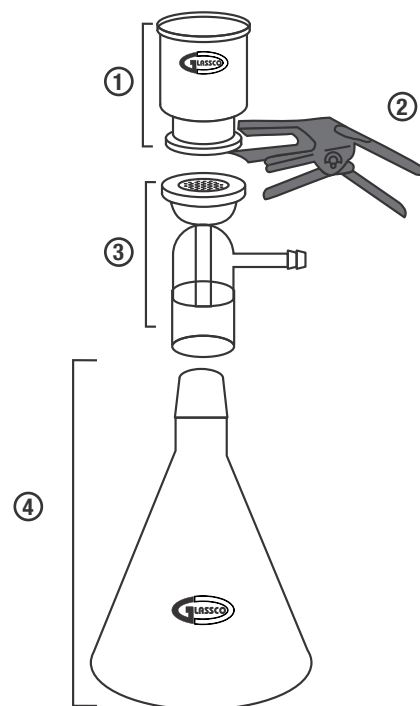


Filtration

All-Glass Filter Holder For 47 mm Disc Filters

Specifications

Materials 258.202.01	: Borosilicate glass funnel, base and tubulated cap; anodized aluminum spring clamp; fritted glass filter support
Filter Diameter, mm	: 47
Filtration Area, cm ²	: 9.6
Funnel Capacity, ml	: Funnel: 300 ml; Flask: 1 L
Outlet Fitting	: 6 mm (1/4 in.) O.D. tubulated cap sidearm to vacuum



Ordering Information:

Cat No.	Description
258.202.01	All-Glass Filter Holder Assembly with funnel, fritted-base & cap, clamp 47 mm, ground joint flask 1 Ltr.

Replacement Parts:

Cat No.	Description
258.245.01	Glass funnel, 300 ml, borosilicate
258.245.02	Spring clamp, 47 mm, aluminum
258.245.03	Glass Base & Cap, 47 mm
258.245.04	Ground Joint Flask, 1000m



Flasks



Flasks, Conical (Erlenmeyer) Narrow Mouth

- Made from ASTM E-438 Type 1, Boro 3.3 heat resistance glass
- Complies with ISO 1773
- All the flasks are printed in white enamel
- Has Reinforced thick Rim to reduce chipping & breakage

Item Code	Capacity (ml)	D. (mm)	D1 (mm)	H. (mm)	Pack of
231.202.01	25	42	22	75	10
231.202.02	50	51	22	90	10
231.202.03	100	64	22	105	10
231.202.04	250	85	34	145	10
231.202.05	500	105	34	180	10
231.202.06	1000	131	42	220	10
231.202.07	2000	166	50	280	6
231.202.08	3000	187	50	310	1
231.202.09	5000	220	50	365	1



Flask, Conical, With Joint

- Complies with ISO 4797
- Ideal for mixing liquids

Item Code	Capacity (ml)	Socket Size	Overall Height	Overall Dia (mm)	Pack of
071.202.06	25	14/23	70	42	10
071.202.08	50	14/23	85	51	10
071.202.10A	50	29/32	85	51	10
071.202.11	100	14/23	100	64	10
071.202.14	100	29/32	100	64	10
071.202.20	250	29/32	140	85	10
071.202.23	500	29/32	175	105	10
071.202.26	1000	29/32	220	131	10
071.202.28	2000	29/32	270	166	6

Flasks

Flask, Filter

- With Glass Connector
- Made from heavy wall which can withstand high vacuum
- Printed in white colour enamel without Graduation

Item Code	Capacity (ml)	Pack of
074.202.01	100	2
074.202.02	250	2
074.202.03	500	2
074.202.04	1000	2
074.202.05	2000	1
074.202.08	5000	1



Flask Erlenmeyer, with Screw Cap

- Made from ASTM E-438 Type 1, Boro 3.3 heat resistance glass
- The screw cap is made from Polyethylene which is Autoclavable
- Comes with PTFE Liner

Item Code	Capacity (ml)	Thread Size	Dia (mm)	Pack of
075.202.01	50	25	51	2
075.202.02	100	25	64	2
075.202.04	250	32	85	2
075.202.05	500	32	105	2
075.202.06	1000	32	131	2



Flasks

Flask, Flat Bottom, Narrow Neck

- Made from ASTM E-438 Type 1, Boro 3.3 heat resistance glass
- With beaded rim
- Complies with DIN/ISO 1773

Item Code	Capacity (ml)	D. (mm)	D1 (mm)	H. (mm)	Pack of
235.202.01	50	51	26	90	10
235.202.02	100	64	26	105	10
235.202.03	250	85	34	138	10
235.202.04	500	105	34	163	10
235.202.05*	1000	131	42	190	10
235.202.06	2000	166	50	230	6
235.202.07	3000	185	50	250	1
235.202.08	5000	233	50	290	1
235.202.09	10000	280	65	360	1

* Non DIN



Flasks, Flat Bottom, with Joint

- Complies with DIN / ISO 4797 and USP standard

Item Code	Capacity (ml)	Socket Size	Approx. Overall Height (mm)	Dia (mm)	Pack of
058.202.02A	50	29/32	85	51	10
058.202.05 *	100	29/32	103	64	10
058.202.13	250	29/32	130	85	10
058.202.17	500	29/32	160	105	10
058.202.20	1000	29/32	187	131	10
058.202.23	2000	29/32	230	166	6

* Non Din

PS: These flasks can also be provided in other joint sizes



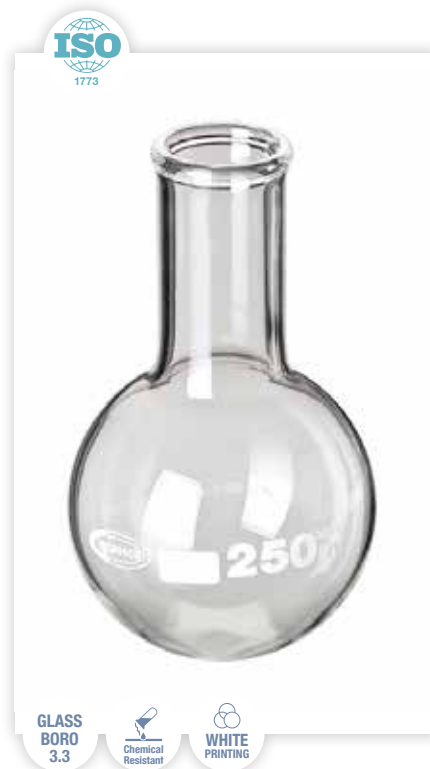
Flasks

Flask, Round Bottom, Narrow Neck

- Made from ASTM E-438 Type 1, Boro 3.3 heat resistance glass
- Complies with ISO 1773
- With beaded rim

Item Code	Capacity (ml)	D. (mm)	D1 (mm)	H. (mm)	Pack of
233.202.01	50	51	26	95	10
233.202.02	100	64	26	110	10
233.202.03	250	85	34	143	10
233.202.04	500	105	34	168	10
233.202.05	1000	131	42	200	10
233.202.06*	2000	166	50	240	6
233.202.07*	3000	185	50	260	1
233.202.08	5000	223	50	305	1
233.202.09	10000	279	65	380	1

* Non DIN



Flasks, Round Bottom, Single Neck with Joint

- Made from ASTM E-438 Type 1, Boro 3.3 heat resistance glass
- Complies with DIN / ISO 4797 & USP standard

Item Code	Capacity (ml)	Socket Size	Approx. Overall Height (mm)	Dia (mm)	Pack of
057.202.05	25	14/23	85	41	10
057.202.08	50	14/23	90	51	10
057.202.10A	50	29/32	90	51	10
057.202.11	100	14/23	105	64	10
057.202.14	100	29/32	105	64	10
057.202.23	250	29/32	140	85	10
057.202.27	500	29/32	163	105	10
057.202.31	1000	29/32	200	131	10
057.202.34	2000	29/32	240	165	6



Volumetric Flasks

We have now Introduced **QR Coded** Volumetric Flasks with Batch Certificate and individual work certificate can be offered on request. You don't need to bother about going Online & Getting your lost Certificate. Just scan the QR Code & Download all the Certificates.

All Flasks come with BLUE Marking Ring on Clear Flask & WHITE Marking Ring on AMBER Flask for better Visibility of Meniscus.

Volumetric Flask, Class A

- Compliance with DIN/ISO 1042 Standards
- With Batch certificate
- QR Coded Flask
- With PE Stopper

Item Code	Capacity (ml)	N/S	Tolerance (+_ml)	Pack of
QR.130.202.02	10	10/19	0.040	1
QR.130.202.03	25	10/19	0.040	1
QR.130.202.04	50	12/21	0.060	1
QR.130.202.05	100	14/23	0.100	1
QR.130.202.06	200	14/23	0.150	1
QR.130.202.07	250	14/23	0.150	1
QR.130.202.08	500	19/26	0.250	1

Volumetric Flasks, Class A

- Compliance with DIN ISO 1042 Standards
- With Batch certificate
- With PE Stopper

Item Code	Capacity (ml)	N/S	Tolerance (+_ml)	Pack of
130.202.01	5	10/19	0.040	2
130.202.02	10	10/19	0.040	2
130.202.02A	20	10/19	0.040	2
130.202.03	25	10/19	0.040	2
130.202.04	50	12/21	0.060	2
130.202.04B	50	14/23	0.100	2
130.202.05B	100	12/21	0.100	2
130.202.05	100	14/23	0.100	2
130.202.06	200	14/23	0.150	2
130.202.07	250	14/23	0.150	2
130.202.08	500	19/26	0.250	2
130.202.09	1000	24/29	0.400	2
130.202.10	2000	29/32	0.600	1
130.202.11	5000	34/35	1.200	1



Volumetric Flasks

Volumetric Flasks, Amber, Class-A

- Compliance with ISO 1042 Standards
- With Batch Certificate
- With PE Stopper

Item Code	Capacity (ml)	N/S	Tolerance (+_ml)	Pack of
130.202.01A	5	10/19	0.040	2
130.202.02AB	10	10/19	0.040	2
130.202.03A	20	10/19	0.040	2
130.202.04A	25	10/19	0.040	2
130.202.05A	50	12/21	0.060	2
130.202.05AB	50	14/23	0.100	2
130.202.06AB	100	12/21	0.100	2
130.202.06A	100	14/23	0.100	2
130.202.07A	200	14/23	0.150	2
130.202.08A	250	14/23	0.150	2
130.202.09A	500	19/26	0.250	2
130.202.10A	1000	24/29	0.400	2
130.202.11A	2000	29/32	0.600	1



Funnels

Funnels

- Made from ASTM E 438 TYPE 1 CLASS A BORO 3.3 GLASS
- Compliance with DIN ISO 4798 & USP standards

Item Code	Diameter (mm)	Pack of
238.202.05*	50	10
238.202.07*	65	10
238.202.09	75	10
238.202.11	100	10
238.202.12	125	10
238.202.13	150	10

* Non DIN



Funnels

Separating and Dropping Funnels are produced from ASTM E-438 TYPE-1 CLASS A BORO 3.3 heat resistant glass. All these Funnels are manufactured as per DIN ISO 4800 standard. The printing is done in white colour.

Separating Funnel, Squibb shape

- Compliance with ISO 4800 Standards
- Without Graduation
- With PE Stopper

Item Code	Capacity (ml)	N/S	Bore (mm)	Stopcock Type	Pack of
149.202.02	50	19/26	2.5	PTFE	1
149.202.03	100	19/26	2.5	PTFE	1
149.202.04	250	29/32	4	PTFE	1
149.202.05	500	29/32	4	PTFE	1
149.202.06	1000	29/32	6	PTFE	1
149.202.07	2000	29/32	6	PTFE	1



Dropping Funnel Cylindrical

- Made from DIN ISO 3585, BORO 3.3 GLASS
- Available with PE Stopper
- Complies with ISO 4800 Standards

Item Code	Capacity (ml)	N/S	Bore (mm)	Stopcock Type	Pack of
158.203.02	50	14/23	2.5	PTFE	1
158.204.02	50	29/32	2.5	PTFE	1
158.203.03	100	14/23	2.5	PTFE	1
158.204.03	100	29/32	2.5	PTFE	1
158.202.04	250	29/32	4	PTFE	1
158.202.05	500	29/32	4	PTFE	1
158.202.06	1000	29/32	6	PTFE	1



Instruments

Ceramic Coated Stainless Steel Top Magnetic Stirrer with Hotplate - Analog

- Aluminium Moulded Construction
- Easy temperature & stir controls
- Installed with safety PT sensor for fail safe operation.
- Hot top indicator for temperatures above 50 °C.
- Large top plate to assist beakers upto 2000 ml.
- High magnetic strength.
- Electronic variable speed control with Knob for display.
- Knob for regulating variable temperature.
- Heat reach Indicator, to ensure you correct temperature of plate surface.
- Stirring & temperature indicator
- Error indicators for heat & stir function inbuilt trouble shoot
- Hot top warning indicator for temperature >50°C



Item Code	Volt	Hz	Watts	Top Plate
710.AG.01	230	50	650	SS Ceramic Coated

Technical Specifications

Heating mantle material	: Ceramic Coated Stainless Steel 304
Dimension of heating plate	: 150 Ø
Speed range	: 50-1600 RPM
Maximum stirring bar length	: Can use up to 80 mm bar (at lower speed)
Temperature range	: Ambient to 350 °C approx
Dimensions of hot plate body	: 273 x 160 x 102 mm
Weight of body	: 2.8 kg
Permissible ambient temperature	: 5-40 °C
Permissible relative moisture	: 80 %
IP Class	: 22

Included Accessory:

Cat. No.	Accessories
850.800.02	Magnetic Stirring bar 35 mm x 9 mm

Temp Control	RPM	Plate Size	Vessel Capacity	Plate Material
Variable up to 350°C	1600 RPM	150mmØ	up to 2L Beakers	SS 304 Grade

Instruments

Ceramic Coated Stainless Steel Top Magnetic Stirrer with Hotplate - Digital

- Aluminium Moulded Construction
- Ceramic coated top plate, chemically resistant and scratch resistant.
- Large top plate to assist beakers up to 2000 ml.
- Thermal insulation for cool body operation.
- Digital set up temperature controller with independent LED display.
- Settable safety cut-off for maximum temperature limit for top plate or probe.
- Installed with double PT sensors for safety & fail safe operating mechanism.
- Hot top indicator for temperature above 50°C even when switched off.
- Inclusive PT 100 temperature sensors probe.
- Audible alarm at time cycle end for safety and ease of unsupervised operation.
- Digital setup of time with independent LED display.
- Selection of Celsius and Fahrenheit.
- Selection of hot plate and probe temperature control.
- Error code display at any kind of failure.
- Digital setup of RPM with independent LED display.
- Count-up indication of minutes and hours.
- Single multi-turn intelligent knob operation.
- Even heat distribution.
- High magnetic strength.

Item Code	Volt	Hz	Watts	Top Plate
900.DG.01	230	50	650	SS Ceramic Coated

Item Code	Accessories
850.800.01	Rod Stainless Steel length 400 mm, Ø 12 mm
850.800.02	Magnetic Stirring bar 35 mm x 9 mm
850.800.03	Moulded PT 100 sensor probe
850.800.04	Boss head

Technical Specifications

Heating Plate material	: Ceramic Coated Stainless Steel
Dimension of heating plate	: Ø 150mm
Three display windows for	: Temperature, RPM and Time
Speed range	: 50-1500 RPM
Maximum stirring bar length	: Can use up to 80 mm bar (at lower speed)
Temperature range	: Ambient to 350 °C
Adjustable safety cut off	: 50-400 °C
Control accuracy of PT100	: ± 1k
Dimensions of hot plate body	: 273 x 160 x 102 mm
Weight of body	: 3.3 kg
Permissible ambient temperature	: 5-40 °C
Permissible relative moisture	: 80 %
RS232 interface	: Yes (For Programming)
IP Class	: 22

Temp Control	RPM	Plate Size	Vessel Capacity	Plate Material
Variable up to 350°C	50-1500 RPM	150 mm Ø	upto 2 L Beakers	SS 304



Instruments

Glass Ceramic Top Magnetic Stirrer with Hotplate

- Aluminium Moulded Construction
- Highly scratch and chemical resistant Top.
- Even heat distribution on surface of top.
- Thermal insulation for cool body operation.
- Digital set up temperature controller with independent LED display.
- Inclusive PT 100 temperature sensor probe.
- Installed with double PT sensors for safety & fail safe operating mechanism.
- Hot top indicator for temperatures above 50 °C even when switched off.
- Large top plate to assist beaker upto 5000 ml.
- Selection of Celsius and Fahrenheit.
- Selection of hot plate and probe temperature.
- Error code display at any kind of failure.
- Independent LED display for RPM and Temperature.
- High Magnetic strength.
- Single multi-turn intelligent knob operation.
- User settable High temperature cutoff and hard wired cutoff.
- DIN connector for external temperature probe.

Item Code	Volt	Hz	Watts
500.AG.01	230	50	1300

Item Code	Accessories
550.500.01	Rod Stainless Steel length 500 mm, Ø 12 mm
550.500.02	Magnetic Stirring bar 25 mm x 8.25 mm
550.500.03	PT 100 sensor probe
550.500.04	Clamp with Boss head

Technical Specifications

Heating Plate material	: Glass Ceramic white square plate
Dimension of heating plate	: 175 mm x 175 mm
Two display windows for	: Temperature and RPM
Speed range	: Up to 2000 RPM
Heat output	: 1300 W
Temperature range	: Ambient to 550 °C
Adjustable safety cut off	: Up to 580 °C
Control accuracy of sensor	: ± 1k
Weight of body	: 5.8 kg
Permissible ambient temperature	: 5 - 40 °C
Permissible relative moisture	: 80 %
USB Port	: Yes (For Programming)
Frequency	: 50 Hz
Voltage	: 230 Volts
Dimensions of hot plate body	: 378 x 220 x 103 mm
IP Class	: 21

Temp Control	RPM	Plate Size	Vessel Capacity	Plate Material
up to 550°C	up to 2000 RPM	175 x 175 mm	up to 5 L Beakers	Glass Ceramic White Square Plate



Extra Accessories:

Item Code	Accessories
550.500.05	Glass Ceramic top plate
550.500.06	Knobs

Instruments

Heating Mantle

- Aluminium Construction
- ON-OFF variable knob for heat power control.
- Mantle knitted with glass fibre yarn.
- Provides uniform heating to flasks.
- For Round Bottomed Flasks as per DIN - 12347
- Inbuilt protection from liquid spill
- Easy maintenance
- Long life

Item Code (230VAC, 50Hz)	Capacity (ml)	Watts	Dimension
1000.EU.02	100	150	180x175
1000.EU.03	250	150	190x175
1000.EU.04	500	200	200x175
1000.EU.05	1000	300	235x175



Technical Specifications

Heating Mantle Body	: Made of aluminium
Heating Mantle Material	: Glass Fibre Yarn
Mantle capacity	: To hold standard Round Bottom Flasks upto 20 liters
Temperature range	: Approx. 400 °C
Heating control	: Electronic power regulator
Permissible ambient temperature	: 5- 40 °C
Permissible relative moisture	: 80 %
IP Class	: 10

Temp	Mantle Capacity	Heating Mantle Material
up to 400 °C	50 ml - 20 l	Glass Fibre Yarn

Instruments

Heating Mantle With Stirrer

- Aluminium Construction
- Variable knob for heat power control with on/off.
- Variable knob for stir speed control with on/off.
- Mantle knitted with glass fibre yarn.
- Provides uniform heating to flasks.
- For Round Bottomed Flasks as per DIN - 12347
- Inbuilt protection from liquid spill
- Long life
- Easy maintenance

Item Code (230VAC, 50Hz)	Capacity (ml)	Watts	Dimension
1500.EU.01	100	170	180x195
1500.EU.02	250	170	180x195
1500.EU.03	500	220	200x190
1500.EU.04	1000	320	235x220

Included Accessories:

Item Code	Accessories
1500.150.02	Magnetic Stirring bar 25 mm x 9 mm

Technical Specifications

Heating Mantle Body	: Made of aluminium
Heating Mantle Material	: Glass Fibre Yarn
Mantle capacity	: To hold standard Round Bottom Flasks upto 5000 ml
Variable speed range	: Approx. upto 750 RPM
Temperature range	: Approx. 400 °C
Heating control	: Electronic power regulator
Speed control	: Electronic regulator
Permissible ambient temperature	: 5 - 40 °C
Permissible relative moisture	: 80 %
IP Class	: 10



Temp Control	RPM	Vessel Capacity	Plate Material
up to 4000 °C	up to 750 RPM	100 - 5000 ml	Glass Fibre Yarn

Liquid Handling

Variable Micropipette, High Performance Micro Volume Pipette, Single Channel

- Fully autoclavable & UV resistant.
- "CE" mark awarded
- Click-stop system for digital volume setting.
- Ergonomic design ensuring light weight & soft plunger movement.
- Two step plunger operation allows "reverse pipetting technique".
- Calibration as per DIN 12650 & EN-ISO 8655 standards.
- High accuracy and precision guaranteed.
- Individual serial No. permanently marked on each pipette.
- Calibration report enclosed with every pipette.
- Color coded for easy identification.

Variable Micropipette

Item Code	Volume Range (µl)	Variable Increment (µl)	Colour	Pack of
500.303.04	5 - 50	0.5	Red	1
500.303.05	10 - 100	0.5	Orange	1
500.303.07	20 - 200	1.0	Yellow	1
500.303.08	100 - 1000	5.0	Blue	1
500.303.10	500 - 5000	50.0	Black	1



Fixed Micropipette

Item Code	Volume Range (µl)	Colour	Pack of
501.303.03	10	Orange	1
501.303.06	50	Red	1
501.303.07	100	Yellow	1
501.303.11	1000	Blue	1

Liquid Handling



Glassco Bottle Top Dispenser With Re-Circulation Valve

- Fully autoclavable at 121 °C, 15 psi for 10-15 mins.
- “CE” mark awarded.
- Smooth & soft plunger for ease of working.
- Highly robust and reliable dispensing technique.
- It has re-circulation valve for re-directing the liquid into the bottle for bubble free dispensing without any loss of reagent.
- Adjustable delivery nozzle to facilitate dispensing ease in all demanding laboratory conditions.
- 180° Rotation for easy & effortless volume setting.
- Specially designed adapter allows 360° rotation, providing full flexibility in working.
- Specially designed, springless, PTFE valve manifold ensures high chemical compatibility and jamming free valve function.
- PTFE Piston with ETP O-Ring ensures very high chemical compatibility & wiper like smooth, effortless piston movement.
- Adaptors to fit most of the laboratory reagent bottles are provided in the following sizes: 28, 30, 32, 36, 40 & 45 mm.
- Calibration as per ISO 8655 standards.

Specifications & Ordering Information

Model No.	Vol. Range	Increment	ISO 8655 Specifications				Glassco Specifications				Pack of
			Accuracy		CV		Accuracy		CV		
			± %	± ml	± %	± ml	± %	± ml	± %	± ml	
500.444.03	1-10 ml	0.2 ml	0.6	0.060	0.2	0.020	0.5	0.050	0.1	0.010	1
500.444.05	5-60 ml	1.0 ml	0.6	0.360	0.2	0.120	0.5	0.300	0.1	0.060	1
500.444.06	10-100 ml	2.0 ml	0.6	0.600	0.2	0.200	0.5	0.500	0.1	0.100	1

Pipettes

Glassco Graduated Pipettes now comes in Type 1 (Mohr) and Type 3 (Serological)

- Type 1 : These pipettes are for partial delivery having 0 point at top.
- Type 3 : These pipettes are for complete delivery having 0 Point at top.

All are manufactured to meet ISO 835 Standards. These pipettes are calibrated to deliver (TD, EX) + 20o C. All graduated pipettes are calibrated by automatic machines and then the final quality check is done on the quality control centre.

The graduated pipettes come in AS class with conformity batch certificate and individual work certificate which is printed in amber colour which fuses into the glass. Each pipette is accompanied with a batch or individual certificate in the pack.

You can also download the certificate at www.glasscolabs.com.

Graduated Pipettes Type 3 (Serological), Class AS

- Compliance with ISO 835 Standard
- With batch certificate

Item Code	Capacity (ml)	Sub Division	Tolerance (\pm ml)	Colour Code	Pack of
125.202.00	0.1	0.01	0.006	WHITE	5
125.202.00A	0.2	0.01	0.006	BLACK	5
125.202.01	1	0.01	0.007	YELLOW	5
125.202.02	2	0.02	0.010	BLACK	5
125.202.03	5	0.05	0.030	RED	5
125.202.04	10	0.10	0.050	ORANGE	5
125.202.06	25	0.10	0.100	WHITE	5



Graduated Pipettes Type 1 (Mohr), Class AS

- As per DIN ISO 835 Standard
- With batch certificate

Item Code	Capacity (ml)	Sub Division	Tolerance (\pm ml)	Colour Code	Pack of
125.453.00	0.1	0.01	0.006	WHITE	5
125.453.00A	0.2	0.01	0.006	BLACK	5
125.453.00B	1	0.01	0.007	YELLOW	5
125.453.01A	2	0.02	0.010	BLACK	5
125.453.02A	5	0.05	0.030	RED	5
125.453.04	10	0.10	0.050	ORANGE	5
125.453.06	25	0.10	0.100	WHITE	5



Pipettes

Glassco volumetric pipettes are manufactured in compliance with DIN ISO 648 standards. These pipettes are calibrated to deliver (TD, EX) + 20 °C. All volumetric pipettes are calibrated by automatic machine and then the final quality check is done on the quality control centre.

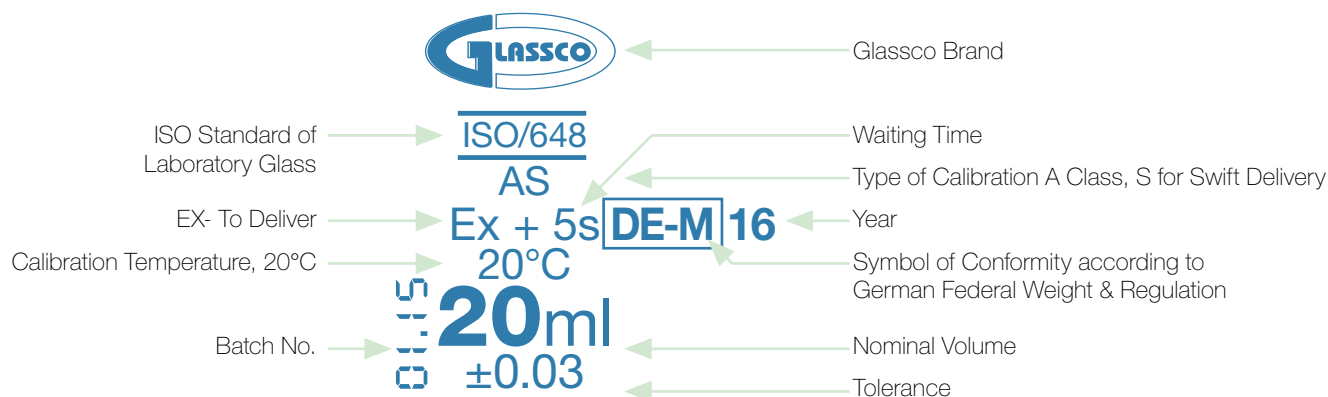
The volumetric pipettes come in AS Class with conformity batch certificate and Class A. in individual work certificate which is printed in amber colour which fuses into the glass. Each pipette is accompanied with a batch or individual certificate in the pack you can also download the certificate from the website: www.glasscolabs.com and by scanning the QR Code from the label of the box.

Below is the overview of the one mark pipette explaining in detail the content printed on it.

Volumetric Pipettes, 1 mark, Class AS

- With Batch Certificate
- Compliance with DIN ISO 648 Standard
- Comes in amber colour enamel printing

Item Code	Capacity (ml)	Tolerance (\pm ml)	Colour Coding Band	Pack of
123.202.01	1	0.008	BLUE	5
123.202.02	2	0.010	ORANGE	5
123.202.03	5	0.015	WHITE	5
123.202.04	10	0.020	RED	5
123.202.05	20	0.030	YELLOW	5
123.202.06	25	0.030	BLUE	5
123.202.07	50	0.050	RED	5
123.202.08	100	0.080	YELLOW	5



Tubes

Tubes Culture Round Bottom

- Made from ASTM E-438 Type-1 Class A, Boro 3.3 glass
- With Screw Thread and Teflon Liner
- Leakproof
- Comes with PP Screw Cap

Item Code	O.D. x Length (mm)	Bottom Type	Pack of
082.204.01	12 x 100	Round	100
082.204.02	16 x 100	Round	100
082.204.03	16 x 125	Round	100
082.204.04	16 x 160	Round	100
082.204.05	18 x 180	Round	100
082.204.06	20 x 100	Round	100
082.204.07	20 x 200	Round	100
082.204.08	22 x 200	Round	100
082.202.05	25 x 100	Round	100
082.202.07	25 x 200	Round	50



Test Tube, Re-usable,

- Made from ASTM E-438 Type-1 Class A, Boro 3.3 glass
- Without Rim EN ISO-4142
- Uniform wall Thickness
- Excellent heat transfer

Item Code	Capacity (ml)	O.D. x Height (mm)	Thick ness (mm)	Pack of
097.202.01	3	10 x 75	1.0	100
097.202.02	5	12 x 75	1.0	100
097.202.03	6	12 x 100	1.0	100
097.202.04	13	15 x 125	1.2	100
097.203.05	15	15 x 150	1.2	100
097.202.05	27	18 x 150	1.2	100
097.203.06	45	20 x 150	1.2	100
097.202.06	55	25 x 150	1.2	100
097.202.07	60	25 x 200	1.2	100



Tubes

Test Tube Manufactured BORO 5.1 GLASS

- Complies with EN ISO-4142
- Without Rim
- These tubes come with uniform wall thickness
- Excellent heat transfer

Item Code	Capacity (ml)	O.D. x Height (mm)	Thickness (mm)	Pack of
099.202.01	3	10 x 75	1.0	100
099.203.02	5	12 x 75	1.0	100
099.202.02	7	12 x 100	1.0	100
099.202.03	13	15 x 125	1.0	100
099.202.04	15	15 x 150	1.0	100
099.202.05	27	18 x 150	1.0	100
099.203.06	45	20 x 150	1.0	100
099.202.06	55	25 x 150	1.0	100
099.203.07	70	25 x 200	1.0	100





DRIFTON
THE SCIENCE OF DISPENSING

info@drifton.dk
+45 3679 0000

www.drifton.dk
www.drifton.eu
www.de.drifton.eu
www.drifton.es