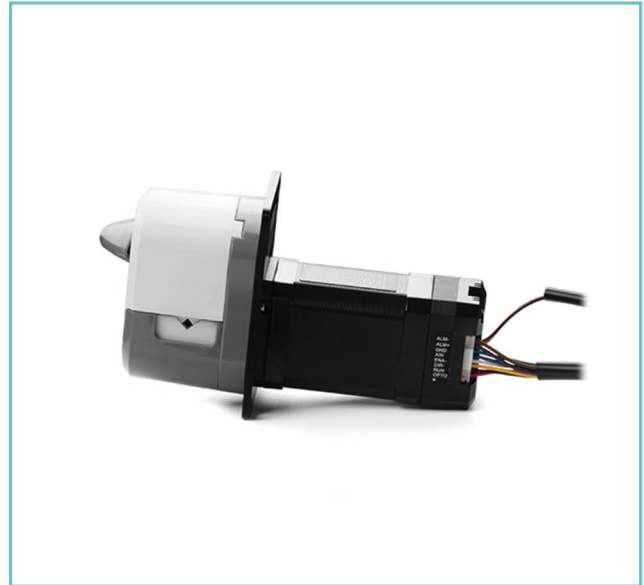


Model No.:OEM- HYB032-034



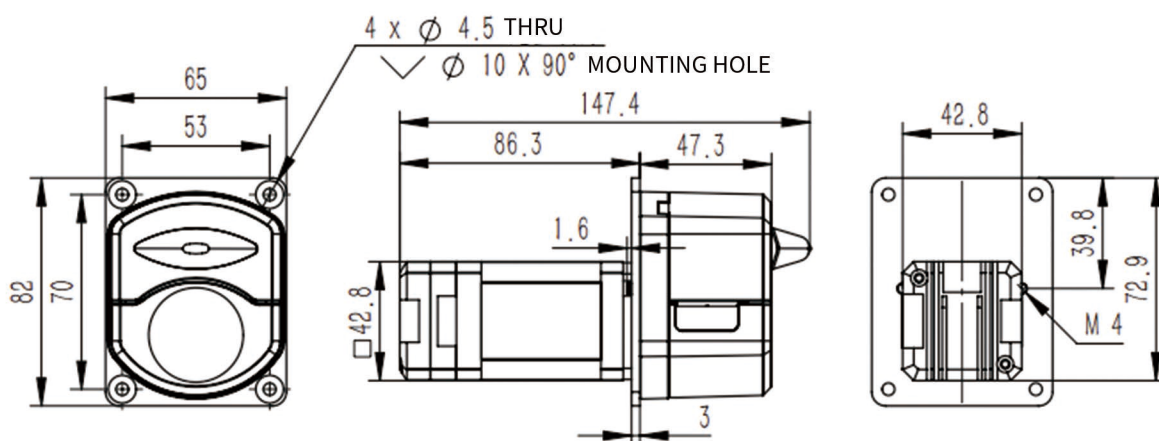
Flow Data

Pump Head	Channel number	Tubing	IDxWall(mm)	mL/r (3 rollers)	mL/r (6 rollers)	Speed(rpm)	Flow Rate (mL/min) (3 rollers)	Flow Rate (mL/min) (6 rollers)	Weight(kg)
HandyPump01	Single channel	13#	0.8x1.6	0.033	0.031	0.1-300	0.0033-10.03	0.0031-9.36	0.224 (3 rollers)
		14#	1.6x1.6	0.187	0.126		0.0187-56.09	0.0126-37.68	
		19#	2.4x1.6	0.371	0.215		0.0371-111.17	0.0215-64.51	
		16#	3.2x1.6	0.636	0.345		0.0636-190.76	0.0345-103.51	0.302 (6 rollers)
		25#	4.8x1.6	1.219	0.636		0.1219-365.69	0.0636-190.81	
HandyPump02	Dual channel	13#	0.8x1.6	0.033	-	0.1-300	0.0033-10.03	-	0.224 (3 rollers)
		14#	1.6x1.6	0.187	-		0.0187-56.09	-	
		19#	2.4x1.6	0.371	-		0.0371-111.17	-	
		16#	3.2x1.6	0.636	-		0.0636-190.76	-	

Motor Specification

Speed range	0.1-300rpm
Flow rate	0.0033-365.69mL/min
Control method	Start/stop and direction reversal controlled by passive signal or active signal (3.3V-5V)
Control method signal logic	Optocoupler conduction operation/cut-off operation (can be modified by host computer software)
Operation mode	Fixed Speed / External Analog Input Mode (selectable via DIP switches)
Motor type	Integrated closed-loop stepper motor
Output signal	Open collector output
Speed control	OEM-HYB032 External analog speed control via 4-20 mA signal
	OEM- HYB033 External analog speed control via 0-5V signal
	OEM- HYB034 External analog speed control via 0-10V signal
Power supply	DC24V-DC36V (Recommend DC24V), $\geq 50W$
Working ambient	0-40°C, <80%RH

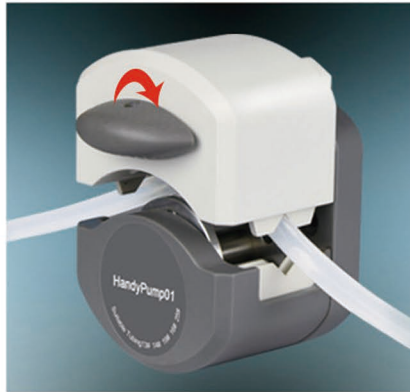
Dimension Drawing (Unit:mm)



Tubing Installation Procedure



1. Turn the knob anticlockwise 180°, open the upper pressure block.



2. Put the tube between rollers and upper block, tighten up the tubing lightly.



3. Turn the knob clockwise 180°, put the upper pressure block back to original position, fasten the tube.